

– VINYL FLOORING –  
WITH HD MINERAL CORE

# MAINTENANCE AND CLEANING



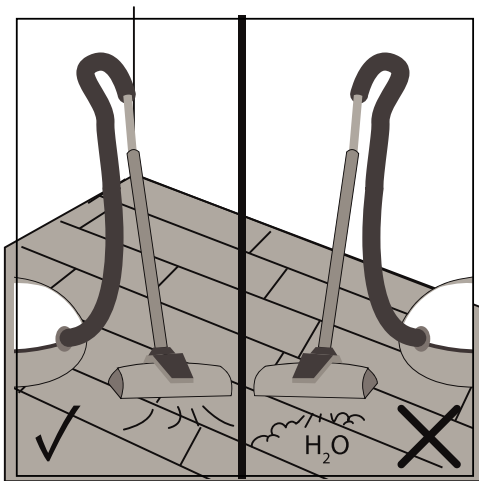
**Arbiton**  
FLOOR EXPERT

**FIRMAX**

**FLOORNITY**  
floor for life

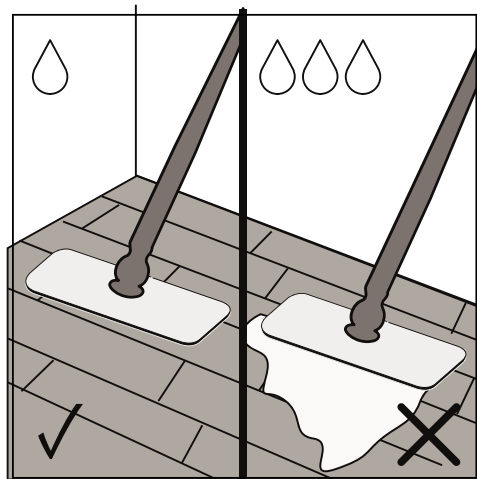
18-30°C 40-65%

## – USAGE AND MAINTENANCE –



Remove larger debris and loose substances using a regular broom or a vacuum cleaner with a soft attachment.

**Vinyl flooring with a mineral core can be cleaned with a vacuum cleaner, but the use of steam cleaning devices is prohibited.**



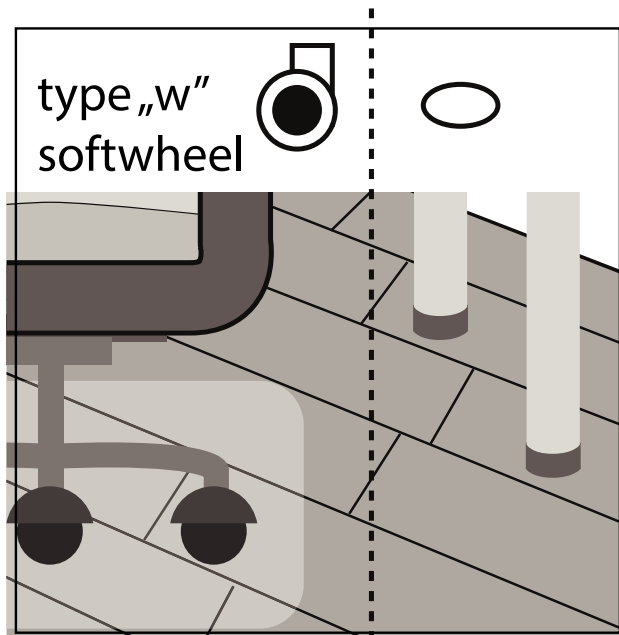
Choose an appropriate cleaning solution. While plain water can be used, it is recommended to use special cleaners designed for vinyl panel cleaning for heavily soiled floors.

If opting for cleaning solutions, ensure they are non-ionic or anionic surfactants. Check the label to confirm they are suitable for cleaning this type of flooring.

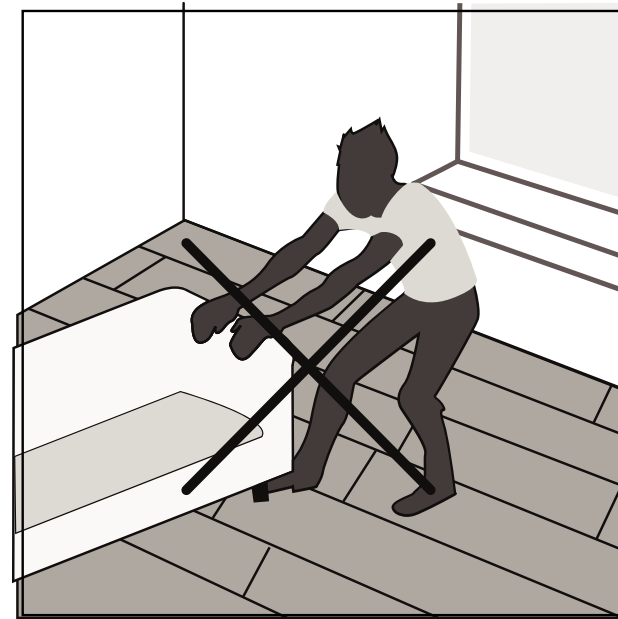
**Tool preparation:** If using a microfiber cloth or mop, lightly dampen it with water or a specialized cleaner for vinyl panels.

🌡️ 18-30°C 💧 40-65%

## – USAGE AND MAINTENANCE–



Use office chairs with W-type wheels and further protect the floor with a chair mat. Equip furniture legs with protective pads, such as felt pads, to prevent scratching.



Moving heavy furnitures across the floor is prohibited. They should be lifted and carried instead.

# LVT CLEAN

Concentrate for cleaning vinyl floor



## – DAILY FLOOR CARE –

- Before using LVT CLEAN, the floor surface should be thoroughly vacuumed. Dirt and sand act like sandpaper, so they should be removed beforehand.
- LVT CLEAN is always mixed with water (cold, lukewarm) in the ratio 1:100 - 1:50. Pour 50 - 100 ml of concentrate into 10 liters of pure cold/lukewarm water. We line with a sponge, a flat microfibre mop, a mohair weasel or a mop spray.
- 
- WE DO NOT USE HOT WATER!

# PU CLEANER

Concentrate for cleaning vinyl floor



## – DAILY FLOOR CARE –

- Pour 25 grams of PU Daily Care Solution into 5 liters of cold water to obtain a ready-to-use solution.
- Do not exceed the recommended proportions. In case of heavily soiled areas, double the concentration of the solution.
- Dip the mop, wring it out, and apply the solution within arm's reach. Rinse the mop, squeeze it thoroughly, and collect the dirt from the surface by moving the mop towards yourself—avoid rubbing or making circular motions.
- Repeat the process until the entire floor is cleaned.

# ELATEX

Stain remover for vinyl floor



## – REMOVING STAINS ON FLOORS –

- Apply a small amount of **Elatex** stain remover to the stain.
- After a few minutes, remove the stain using a white cotton cloth or white paper towel.
- Clean the treated area with clean water. **Elatex** stain remover is designed to remove stains such as non-water-soluble markers, grease, juice, etc., from the surface of the flooring.

# R280

Deep Cleaning Solution



Manual cleaning kit  
Padmaster



MOP

## – REMOVAL OF LARGE DIRT – AND POST-RENOVATION AND POST-CONSTRUCTION DIRT

- our 50 to 150 grams (depending on the level of dirt) of R280 Deep Cleaning Solution into 5 liters of cold water to obtain a ready-to-use solution.
- Dip the mop into the solution and apply it to the floor within arm's reach. Scrub the surface using the Handheld Cleaning Padmaster with the green pad.
- Remove dirt using the mop by moving it towards yourself—avoid rubbing or making circular motions.
- Repeat the process until the entire floor is cleaned.

# ScratchFix PU

Floor repair kit



– REMOVE SPOT SCRATCHES–

VIDEO INSTRUCTION

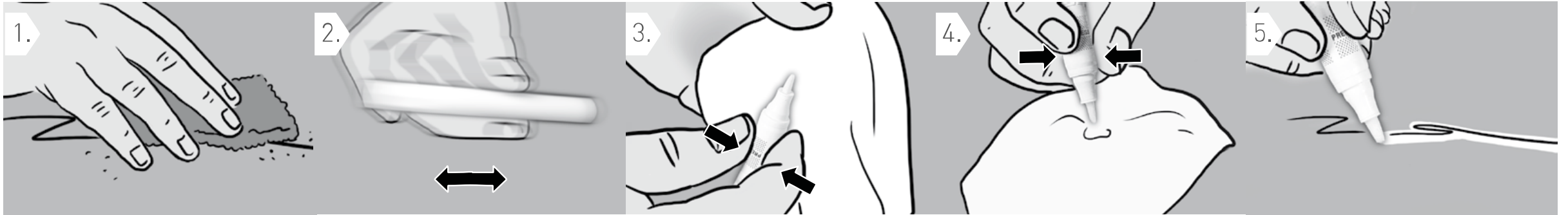


<https://www.youtube.com/watch?v=kDUKTrxkgQE>

# ScratchFix PU

Floor repair kit

## – REMOVE SPOT SCRATCHES –



Pre-treatment of the floor: Firstly, work over deeper scratches with the plastic spatula, at right angles to the scratch, erasing any proud edges of the scratch. Even out the surface with a grey sanding pad along the scratch. Remove the fine dust with a slightly moist cloth.

Preparation: Shake pen for about 15 seconds. Rattle of mixing balls must be clearly heard. Before using the pen for the first time, rinse out brush tip under running water and dry it with the cotton cloth. Important: When retouching, take care that the area to be retouched is clean and free from dust and grease.

De-Aerate Pen: Take off cap. Before each use, hold pen with tip pointing upwards in a cloth and squeeze area marked PRESS. The pen is de-aerated.

Activate Pen: Hold pen with tip pointing downwards over the cotton cloth and again squeeze area marked "PRESS". Lacquer flows into the brush tip. Slightly dab brush tip on the cloth to avoid a sealing that is too wet.

Sealing: Apply the lacquer evenly in one direction to the repaired area. If possible, do not apply lacquer to the surroundings. If lacquer flow decreases, again squeeze area marked PRESS and slightly dab brush tip on the cotton cloth. After use, wash out brush tip with water and dab dry on a cloth. Can be walked on after about 6 hours.

# ScratchFix PU

Floor repair kit

## – REMOVE SPOT SCRATCHES –



Pre-treatment of the floor: Carefully sand the damaged places with the grey sanding pad, in order to even out any proud edges of the scratch. Afterwards, remove the fine dust with a slightly moist cloth.

Preparation: Before use, shake the aerosol vigorously for about 20 seconds. Choose an inconspicuous spot to test the spray, in order to check the colour tone, or to see if the lacquer is compatible

Application: Spray a light mist of PU Repair Spray onto the area to be treated, at a distance of 30 to 40 cm. Please note: In order to achieve an optimal result, spray should be applied 2 or 3 times, allowing 5 to 10 minutes in between to let the surface air. Can be walked on after about 6 hours.



Attention  
For deeper scratches: These can be pre-treated with the Scratchfix Repair Pen. In this case, please refer to instructions for Scratchfix Repair Pen.